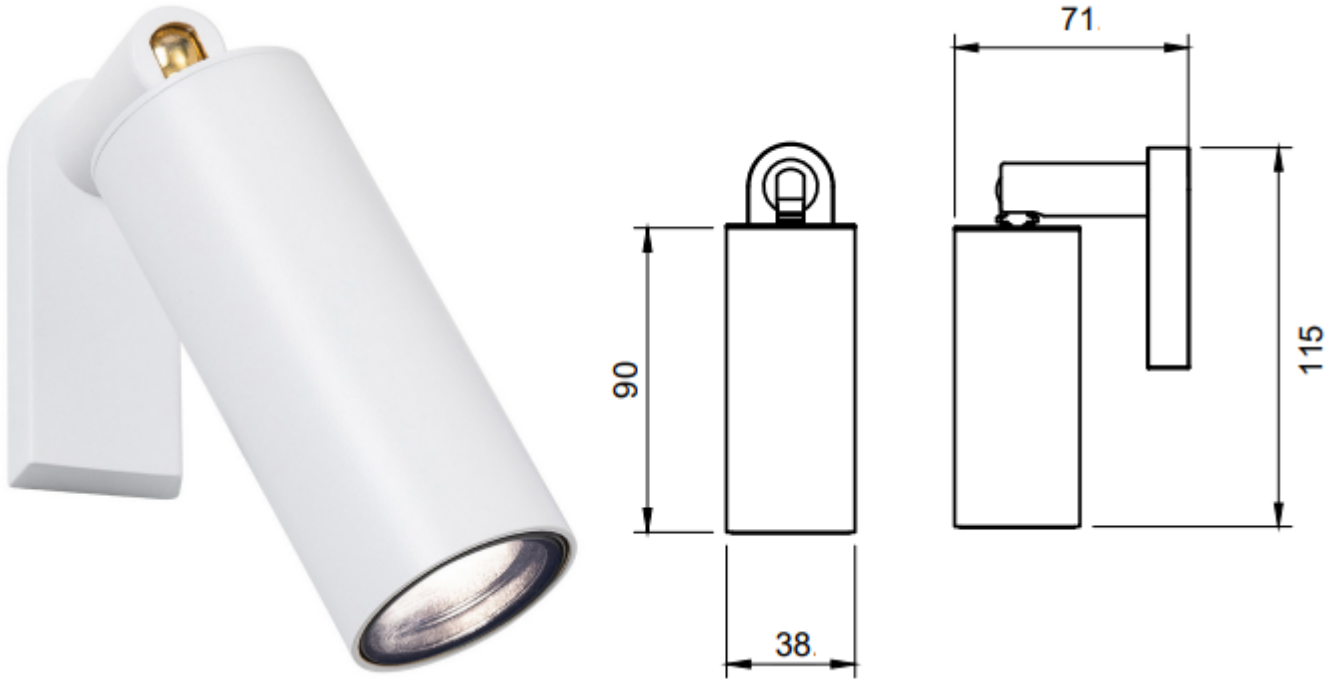


## Description:

Belonging to the **Firefly Family** range, the Firefly Micro Spot offers a simple, clean aesthetic available in various colour temperatures, optics, finishes and control options. The Firefly Family offers a variety of products suitable for various applications. The products contain the same LED chip and optics for a consistent approach. Supplied with cable gland and double insulated cable. The Firefly Family consists of a **Standard Firefly**, **XL**, **Deco** and **Square** range creating a comprehensive suite of products.



## Technical:

LED type	Cree XHP-50 Gen 2	Control gear	Remote
Rated power	4w – 6w	Dimming protocols	Dali, 0-10V, Phase Dim, On/Off
CRI	80	Cable length	300 mm
Beam angles	Nominated in table below	Mounting options	Surface
Input power	Nominated in table below	Weight	On request
Nominal lumens	300lm – 476lm	Hardware	Glass lens, O-Ring, Gland, Cable
IP rating	IP65	Construction	Machined metal & heat shrink.
Colour temperature	2700K – 3000K – 4000K	Warranty	Two years

## Product Generator: example NL-7013-AB-M-30-SM-6W-4-N/A

Model	Finish	Beam Angle	CCT	Mounting	Wattage	Dimming	Accessories
<b>NL-7013</b>	AB Aged brass	N Narrow 10°	27 2700K	SM Surface	4w/350mA	1 Dali	N/A
	BR Brushed brass	M Medium 21°	30 3000K		6w/700mA	2 0-10V	
	PB Black	W Wide 33°	40 4000K			3 Phase	
	PW White	E Elliptical 26° x 41°				4 On/Off	
	CC Custom						
<b>NL-7013</b>	AB Aged brass	N Narrow 10°	27 2700K	SM Surface	4w/24 V DC	On/Off	N/A
	BR Brushed brass	M Medium 21°	30 3000K		6w/24 V DC		
	PB Black	W Wide 33°	40 4000K				
	PW White	E Elliptical 26° x 41°					
	CC Custom						

## Order Code

NL-7013				SM			N/A
---------	--	--	--	----	--	--	-----