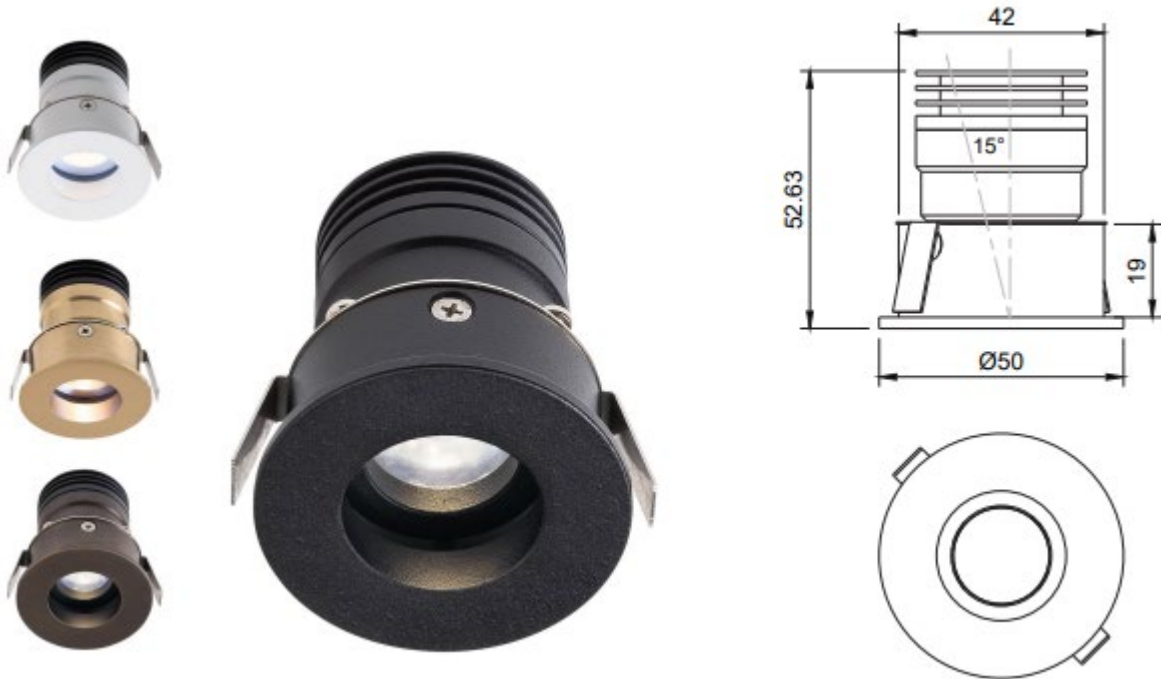


## Description:

Architectural, a member of the Firefly family, Firefly Micro Downlight 15° offers a simple clean aesthetic available in various colour temperatures, optics, finishes and control options. Firefly Micro Downlight 15° shares the technical features of the remainder of the Firefly family ensuring consistent illumination whilst being controllable for the desired ambiance. A luminaire which provides sought after energy efficiency and product longevity.



## Technical:

LED type	XHP-50 Gen 2	Control gear	Remote
Rated power	4W or 6W	Dimming protocols	Dali, 0-10V, Phase Dim, On/Off
CRI	80	Cable length	300 mm
Beam angles	Nominated in table below	Mounting options	Recessed
Input power/Forward voltage	6V / Nominated in table below	Weight	On request
Nominal lumens	300lm or 476lm	Hardware	Glass lens, Gland, Cable
IP rating	IP44	Construction	Machined metal, heatsink
Colour temperature	2700K – 3000K – 4000K	Warranty	Two years

## Product Generator: example NL-7011-BR-N-30-R-4W-2-N/A

Model	Finish	Beam Angle	CCT	Mounting	Wattage	Dimming	Accessories
NL-7011	AB Aged brass	N Narrow 10°	27 2700K	R Recessed	4W/350mA	1 Dali	N/A
	BR Brushed brass	M Medium 21°	30 3000K		6W/700mA	2 0-10V	
	PB Black	W Wide 33°	40 4000K			3 Phase	
	PW White	E Elliptical 26 x 41°				4 On/Off	
	CC Custom						

## Order Code

NL-7011				R			N/A
---------	--	--	--	---	--	--	-----