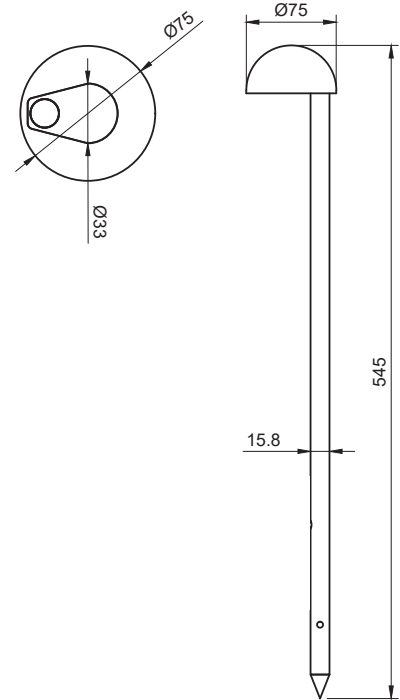
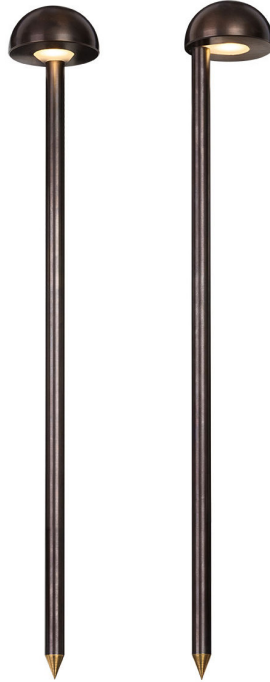


Description:

Garden spike mounted fitted with 1 or 3Watt CREE XLAMP XP-G3, Various colour temperatures, IP65, finished in Brass (Aged), pre-fitted Borosilicate Glass Lens, 500mm lead, remote driver.



Technical:

LED TYPE	CREE XLAMP XP-G3	CONTROL GEAR	REMOTE
RATED POWER	1W / 3W	DIMMING PROTOCOL	DALI - 0-10V - PHASE DIM - ON/OFF
CRI	80	CABLE LENGTH	500MM STANDARD LENGTH
BEAM ANGLES	NOMINATED IN TABLE BELOW	MOUNTING OPTIONS	SPIKE
INPUT POWER / FORWARD VOLTAGE	350mA / 700mA - 3V	WEIGHT	0.5KG
NOMINAL LUMENS	155lm / 285lm	HARDWARE	GLASS LENS, O-RING, GLAND, CABLE
IP RATING	IP65	CONSTRUCTION	MACHINED METAL & HEATSINK
COLOUR TEMPERATURE	2700K - 3000K - 4000K	WARRANTY	2 YEARS

Product Generator: example 0069-AB-D-30-SP-3W-DALI

Model	Finish	Beam Angle	CCT	Mounting	Wattage	Dimming	Accessory
NL0069	AB Aged Brass	D Diffused	27 2700K	SP Spike	1W / 350mA	DALI	N/A
	CC Custom		30 3000K		3W / 700mA	0-10V	
			40 4000K			Phase	
						On/Off	

NL0069	-	-	-	-	-	-	-
--------	---	---	---	---	---	---	---